

HYVA OIL TANKS



SIDE MOUNTED TANK

Hyva

type :

SM - 232L/200L - AL - MP - MR

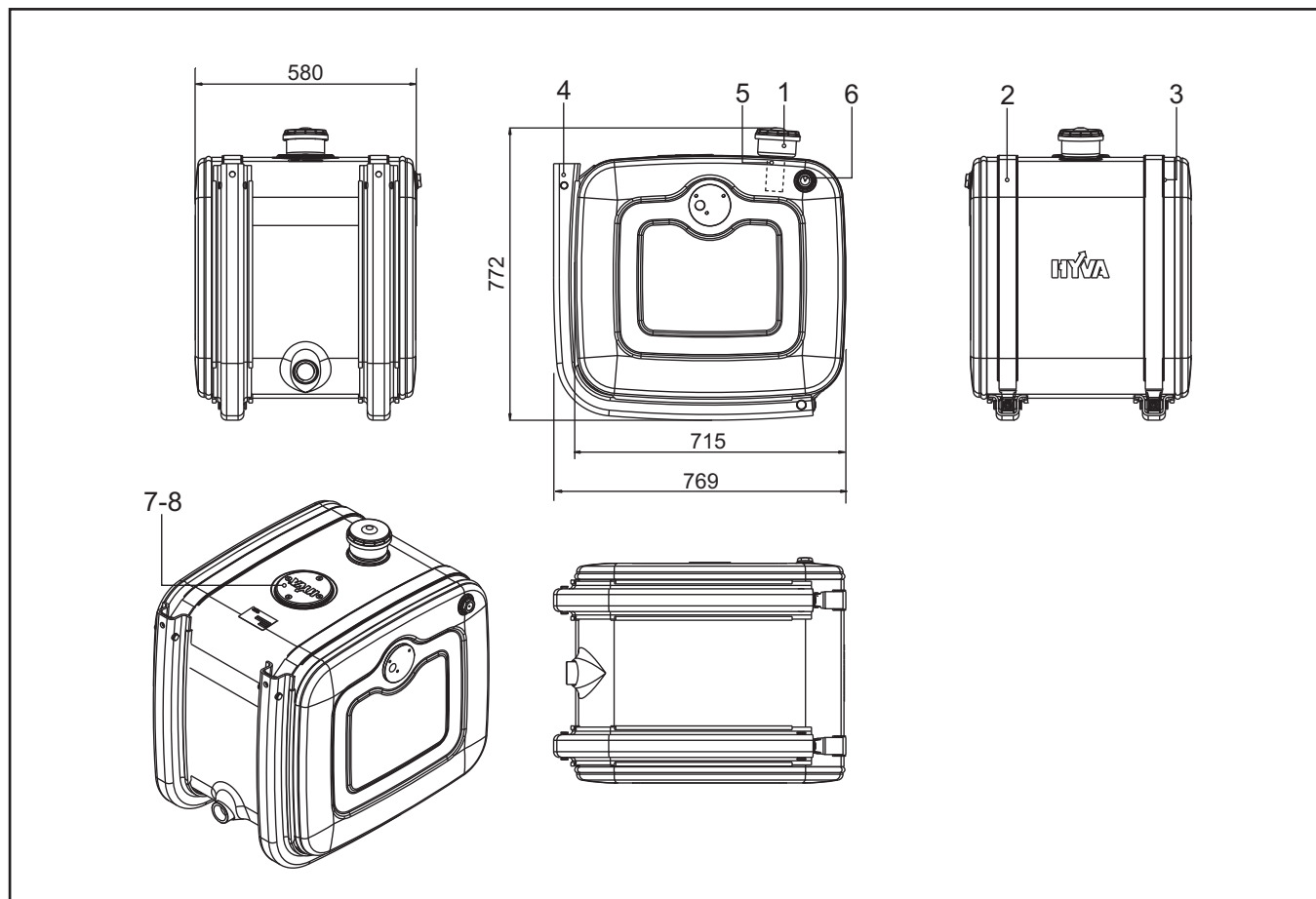
Page 1 / 1

part number tank :

140 18 232

working volume :

200 liters



Part list

Pos.	Part no.	Description	Qty.
1	081 02 116	air breather filter	1
2	140 20 300	straps	2
3	140 20 328	kit for two supports	1
4	140 20 320	tank support	2

Spare Parts

Pos.	Part no.	Description	Qty.
5	081 02 117	air filter element	1
6	081 02 121	spy glass	1
7	020 52 431	cover plate	1
8	020 52 432	gasket	1

Optional part

Part no.	Description	Qty.
147 80 303	return filter kit	1

General information

Pay attention to the following points:

- Mount the tank according to the mounting instructions.
- Fill the tank with the recommended hydraulic oil to the centre of the spy glass (level indicator).
- Change the oil once a year.
- Replace the air breather filter twice a year.
- Do not use the tank as a support or to stand on.
- Do not weld to the oil tank.

Mounting instructions

Before mounting the tank, check carefully whether all openings and connections are free of packaging tape, dirt and particles.

- Always check the truck manufacturers body builders guide before you drill holes into the chassis beams.
- To mount the supports, the top pre drilled hole must be used. At least one other hole must be drilled in the support at a minimum distance of 150 mm from the top hole.
- Place the reinforcement plates on the bolts and mount the bolts so that the plates fit inside the support.
- Use M14 8.8 bolts, hardened washers (HB>200) and self-locking nuts.
- When rivets have been drilled out, use 10.8 bolts instead.
- Mount the second support on such a distance from the first that the flanges do not stick out from the side of the tank.
- Hook the straps to the top pins and mount them to the top holes of the supports.
- Mount the bottom pins to the bottom holes of the support.
- Place the strap rubbers on the tank.
- Mount the straps with the M12 Allen bolt and reinforcement plates to the bottom pins and tighten them for a few turns.
- Make sure that the strap rubbers lie underneath the straps.
- Check that the strap ends make contact with the pin.
- Torque the bolts evenly, step by step left..right..left to 30 Nm.
- Check the bolts for torque after 1000 km.

Specifications

Gross volume	: 232	Liters
Fill volume	: 218	Liters
Working volume	: 200	Liters
Weight tank	: 18	kg
Weight single support	: 10	kg