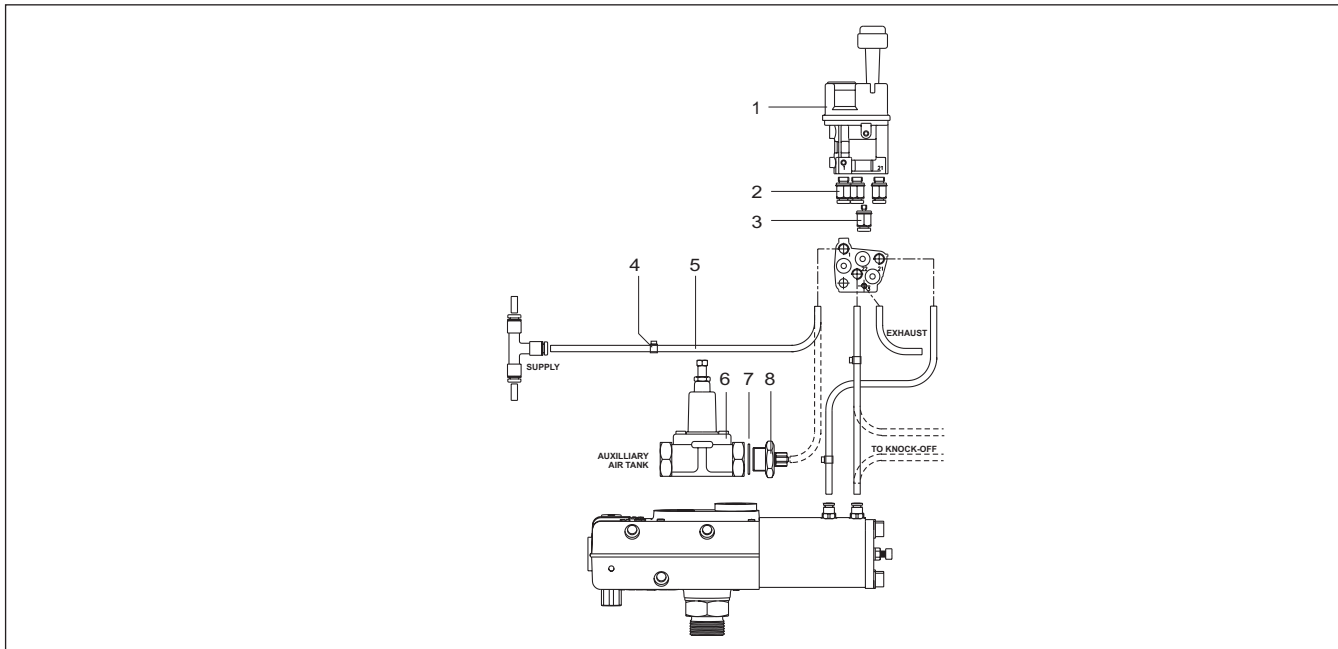


STEROWANIE PNEUMATYCZNE

GH9 FCK 5 B-9 DB9I A 5 HM7 NB9 DF CDCF7 >CB5 @B9 %G9 ? 7 M>B9



Order possibilities of the air control

pos.	part no.	description	qty.
1	147 50 644 H	control pneumatic - 1 - TF/LF	1
	147 50 646 H	control pneumatic - 1 - TS/LF	1
2,3,4,5	147 52 141 K	air kit valve	1
2	148 10 517	coupling for air control G1/8"	3
3	148 10 515	coupling for air control M5	1
4	148 75 500	air tube tie	4
5	148 75 007	air tube 6x4 (20 m)	1
6,7,8	147 54 010	charging valve kit	optional 1
7	148 84 501	washer 27x22	optional 1
8	148 11 005	coupling m 22-6 mm	optional 1
	092 32 002	mounting support	optional 1
	092 05 002	mounting sup. (angled)	optional 1

Pneumatic symbol

